

DC-DC CONVERTER

BXXXXS-1W

1KV ISOLATION, 1W OUTPUT, UNREGULATED, SIP 4 PACKAGE, MTBF>1M HOURS

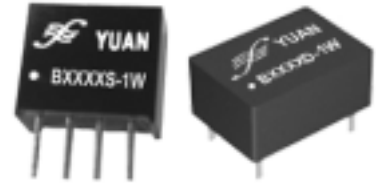
Available Inputs:

5, 12, 15 and 24 VDC

Available Outputs:

3.3, 5, 9, 12, 15, 18 and 24 VDC

Other specifications please enquire Sunyuan Technology.



Electrical Specifications

(Typical at + 25° C, nominal input voltage, rated output current unless otherwise specified)

Input Specifications

Voltage range +/- 10 %
Filter Capacitors

Isolation Specifications

Rated voltage 1000 VDC
Leakage current 1 mA
Resistance 10^9 Ohm
Capacitance 60 pF type.

Output Specifications

Voltage accuracy +/- 5 %, max.
Ripple and noise (at 20 MHz BW) 100 mV p-p, max.
Short circuit protection Momentary
Line voltage regulation +/- 1,2 % / 1,0 % of V_{in}
Load voltage regulation +/- 8 %, load = 20 ~ 100 %
Temperature coefficient +/- 0,02 % / °C

General Specifications

Efficiency 75 % to 85 %
Switching frequency 80 KHz, typ.

Environmental Specifications

Operating temperature (ambient) - 40° C to + 85° C
Storage temperature - 55 °C to + 125 °C
Derating See graph
Humidity Up to 90 %, non condensing
Cooling Free air convection

Physical Characteristics

Dimensions SIP 11,68 x 6,00 x 10,16 mm
0,46 x 0,24 x 0,40 inches
Weight 1,8 g
Case material Non conductive black plastic

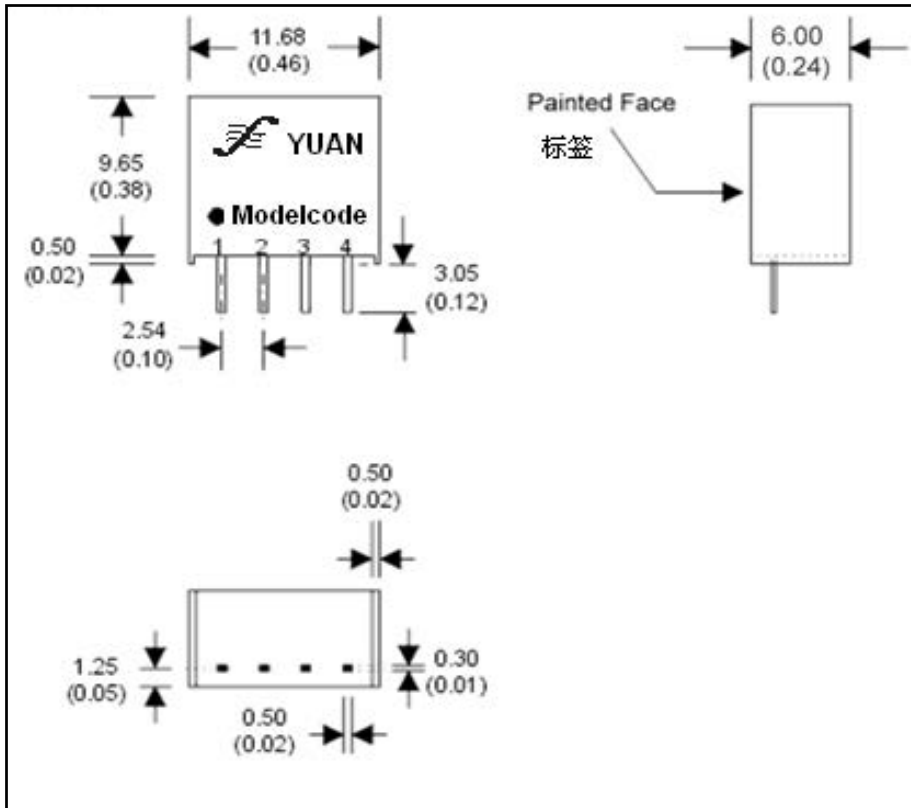
Examples of Part Numbers

SUNYUAN PART NO.	INPUT VOLTAGE (VDC)	INPUT CURRENT NO LOAD	INPUT CURRENT FULL LOAD	OUTPUT VOLTAGE (VDC)	OUTPUT CURRENT (max. mA)	EFFICIENCY FULL LOAD (% TYPE.)
B0503S-1W	5	14	363	3.3	303	72
B0505S-1W	5	16	266	5	200	75
B0512S-1W	5	18	254	12	84	70
B1205S-1W	12	11	119	5	200	70
B1212S-1W	12	10	104	12	84	80
B1215S-1W	12	15	107	15	68	78
B2405S-1W	24	5	55	5	200	75
B2412S-1W	24	7	54	12	84	77
B2415S-1W	24	8	55	15	76	76

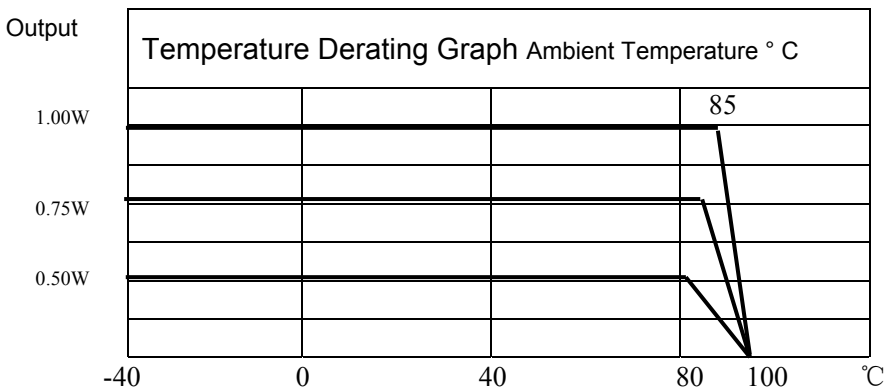
DC-DC CONVERTER

BXXXXS-1W
1KV ISOLATION, 1W OUTPUT, UNREGULATED, SIP 4 PACKAGE, MTBF>1M HOURS

Dimensions



Derating Graph and Pinning



Pin	Connection		
1	-	V _{in}	Input
2	+	V _{in}	Input
3	-	V _{out}	Output
4	+	V _{out}	Output