

SES	C.W. MAGNETRON	ISSUED
	FOR MICROWAVE OVEN	2003 . 05 . 20

CUSTOMER SPECIFICATION OM75P(21)

<PROHIBITION TO USE OZONE DEPLETING SUBSTANCES>

Prohibited substances :

CFC/Halon/Carbon tetrachloride/1,1,1-Trichloroethane(Methy 1 chloroform)

- ① This Product, Assembly, or Component does not contain any of the substances above mentioned.
- ② This Product, Assembly, or Component is not manufactured using any of the substances above mentioned.

COMPILED BY :				
APPROVED BY :				
REVISION	200 . . .			
	200 . . .			

1. GENERAL

The SAMSUNG OM75P series is a continuous wave cooking magnetron with fixed frequency of 2465MHz and high efficiency. This magnetron is intended for use in microwave ovens with typical oven power 900~1000 watts.

2. TYPICAL CHARACTERISTICS

2-1 ELECTRICAL

Power Supply.....	L.C stabilized half wave doubler
Frequency.....	2465 MHz
Peak Anode Voltage.....	4.45 KV
Mean Anode Current.....	330 mA
Output Power (V.S.W.R \leq 1.1).....	1050 W
Efficiency.....	71.0 %
Filament Voltage.....	3.15 V
Cold Filament Resistance.....	0.042 Ω
Pre-heating Time	0 sec

2-2 MECHANICAL

Mount Position (note 1).....	Any
R.F Coupler.....	WR 430 system
Magnetic System.....	Ferrite magnet packaged
Weight.....	0.85 Kg (1.9 lbs)
Dimensions.....	see outline drawing
Cooling Air Flow.....	800 l/min
Pressure Drop.....	4.9 mm Aq
Cooling Direction.....	Transverse

REVISION	200 . . .				
	200 . . .				

3. ABSOLUTE MAXIMUM RATINGS

.....	Min.	Max.
Filament Voltage.....	2.70 V	3.60 V
Mean Anode Current.....	-	380 mA
Peak Anode Current.....	-	1500 mA
Anode Temperature (note #2)..... (at the point indicated on the outline drawing)	-	300 °C
Load V.S.W.R (note #3).....	-	4
Storage Temperature.....	-35 °C	+60 °C
Filter Case Temperature.....	-	120 °C
Antenna Temperature	-	360 °C
Magnetron Output Power.....	1000 W	-
Starting Time.....	-	3 sec

NOTES

#1. See 11/13 page.

#2. In an abnormal operation, the maximum allowable temperature for anode is 340°C, provided that dwell time of the maximum temperature does not exceed 2 hours per operation nor 25 hours in total.

#3. The load condition in which instantaneous V.S.W.R is 4 through 10 may be allowed only if the dwell time in that is short.

REVISION	200 . . .				
	200 . . .				

4. TEST SPECIFICATION

4-1. ELECTRICAL TEST

TERM	Test Cond.					Limits				
	Vf (V)	Va (kV)	Ia (mA)	VSWR	Notes	Min.	Mean	Max.	Unit	Notes
Cold Insulation Resistance	0	1kv dc	-	-	-	50M Ω	-	∞		
Breakdown Voltage	0	+10dc	-	-						#1
Cold start(Voltage transient)	3.15	-	330	≤ 1.1	#2			8	kV	#5
Frequency	3.15	-	330	≤ 1.1	#2	2455	2465	2475	MHz	
Peak Anode Voltage	3.15	-	330	≤ 1.1	#2	4.3	4.45	4.6	kV	
Efficiency	3.15	-	330	≤ 1.1	#2	71.0	-	-	%	
Mean Output Power(1)	3.15	4.45	330	≤ 1.1	#2	1000	1050	-	W	
Emission Stability(Vfm)			330	≤ 1.1	#2			2.2	V	#3
Stability	3.15				#4	4			VSWR	#6
Pulling Figure	3.15		330	1.3				10	MHz	#6
Filament Current	3.15	-	-	-		8.5	10.5	12.5	A	
Sink Phase (at L=4)	3.15	-	330	4		0.25	0.27	0.29	λ_s/λ_g	

4-2. VISUAL & MECHANICAL

1) Major Defects :

Any physical error, omission or dimensional deviation that affects the component function, fit or reliability.

2) Minor Defects :

Any physical error, omission or dimensional deviation that is purely aesthetic and does not affect function, fit or reliability.

REVISION	200 . . .				
	200 . . .				

4-3. LABEL

Unless otherwise agreed with individual customers, a standard SAMSUNG label will be provided on the filter box of the tube.

4-4. DESIGN OR CONSTRUCTIONAL CHANGES :

SAMSUNG will notify the customer in writing of any major design or constructional changes which either change the performance of the magnetron or have an influence on the mechanical or appearance of the tubes.

Together with the notification sample, test data, and reason for modification will be sent to the customer for approval.

4-5. NOTES

#1. - If during the first snap-on there is evidence of a breakdown within 5 seconds of H.V. application, the test should be repeated once and there should be no indication of breakdown again.

(1 breakdown \leq 400 μ A, Series resistance 50K Ω)

#2. - For power supply an L.C., single phase half wave doubler should be used.

- The filament voltage should be measured at tube terminals.

- The combination of transformer and capacitor should be chosen such that for normal line voltage, I_a mean = 330mA \pm 1% and I_a peak 1020 to 1050mA.

REVISION	200 . . .				
	200 . . .				

- It is recommended to use a 10 - 12 KV avalanche diode as protection for capacitor and transformer.
- For wave guide configuration and power supply, see page 7 and 10.
- A water load of which the V.S.W.R ≤ 1.1 over the frequency band 2425MHz up to 2475MHz should be used.
- Unless otherwise stated, limits apply for a tube within 15 seconds after application of voltage and at 25°C.
- Before testing, the tube should be "at room temperature" for at least four hours.
- During test, the magnetron should be cooled with 800 l/min of forced air.

#3. -After a minimum operation of 30 seconds under the specified condition, the filament voltage is gradually decreased. The V_{fm} is the lowest V_f value at which the tube is still oscillating in the π mode.

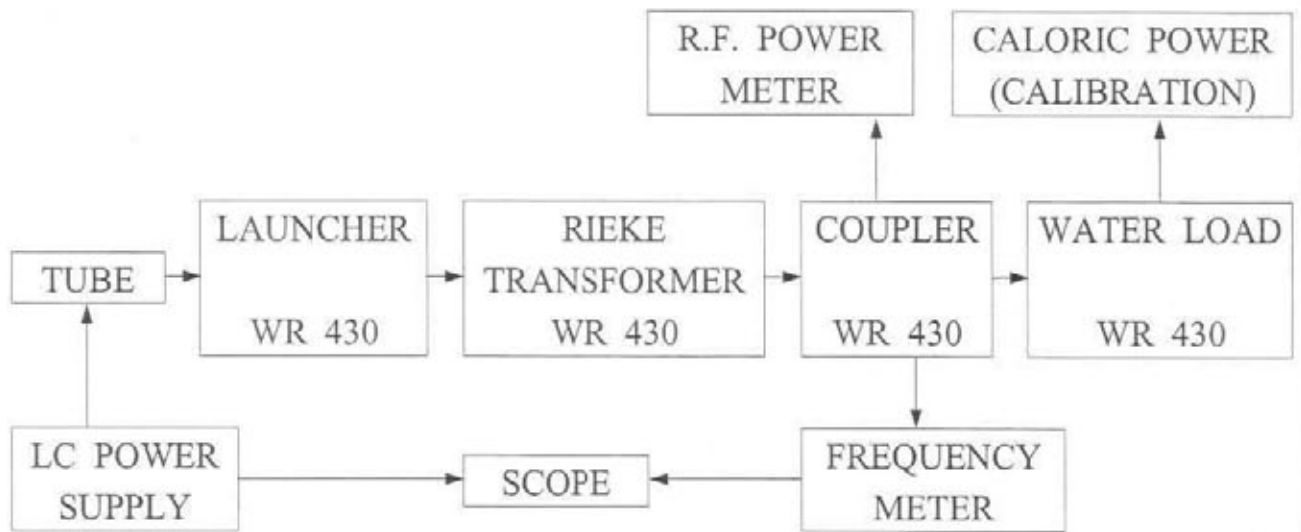
#4. - Starting with minimum operation of 30 seconds at nominal heater voltage and $I_a=330\text{mA}$ with V.S.W.R. ≤ 1.1 and at $2\lambda_g$ distance from the tube, the V.S.W.R. must be increased by means of the Rieke transformer while the phase must be varied in the sink area. The stability is the highest V.S.W.R. at which the tube is still oscillating in the correct π mode.

#5. - Transients are measured on a storage scope during the period 0.5 to 2 seconds after switching on the anode voltage and filament voltage simultaneously.

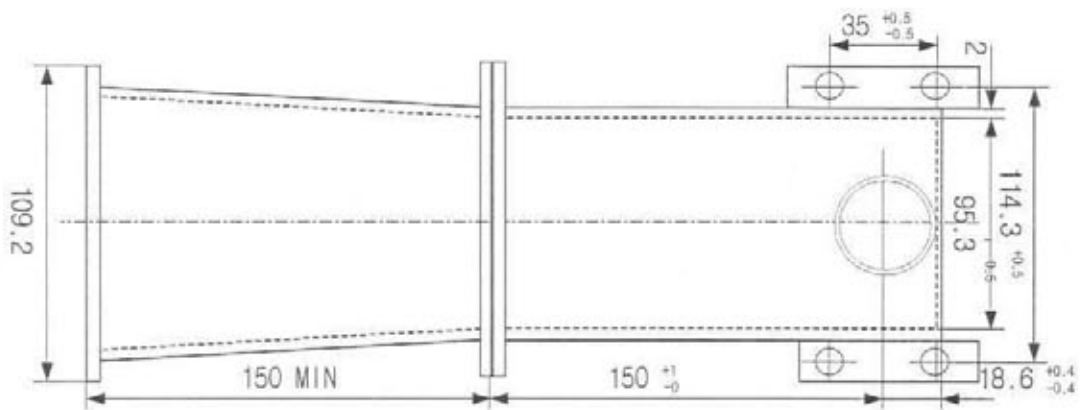
#6. - Design control tests only.

REVISION	200 . . .				
	200 . . .				

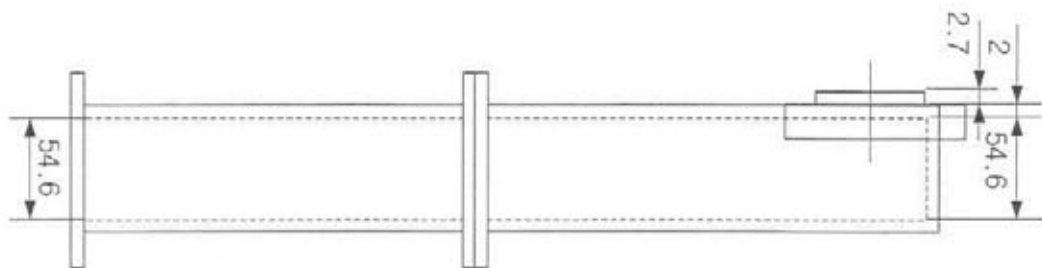
5. WAVEGUIDE CONFIGURATION



6. COUPLING SECTION for OM75P into a waveguide WR430

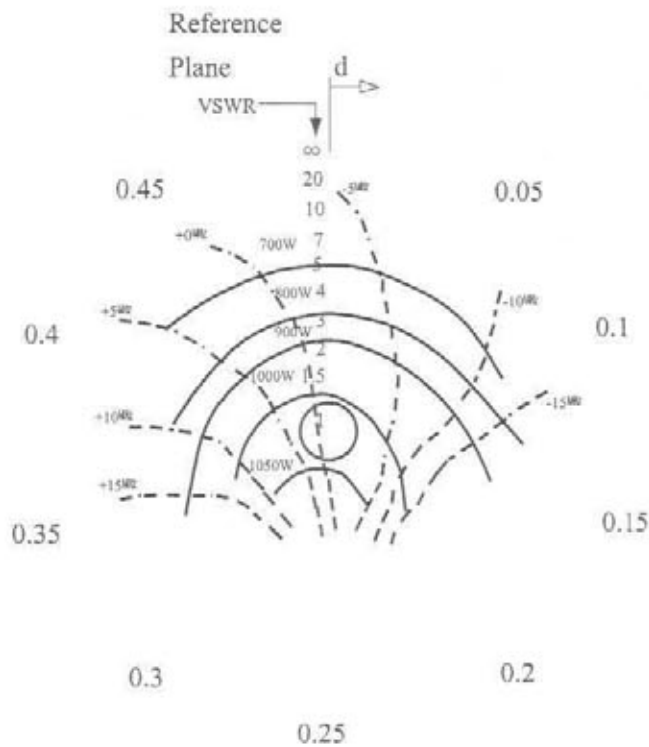


The flange mates Japanese standard BRJ-2



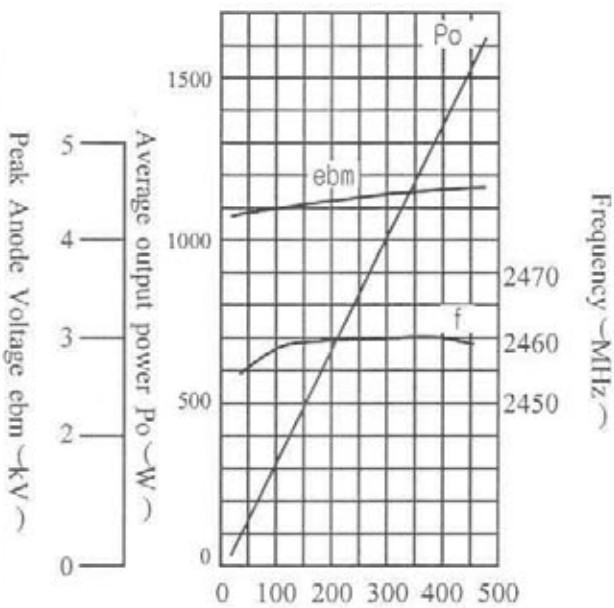
REVISION	200 . . .			
	200 . . .			

7. RIEKE DIAGRAM IN WAVEGUIDE WR430



Power Supply : half-wave doubler L.C. type
 Filament Voltage 3.15 V
 Average Anode Current..... 330 mA
 Peak Anode Voltage 4.45 kV
 Frequency at matched load 2465MHz
 d : distance of V.S.W.R. -minimum from reference plane towards load
 Diagram measured under cold condition

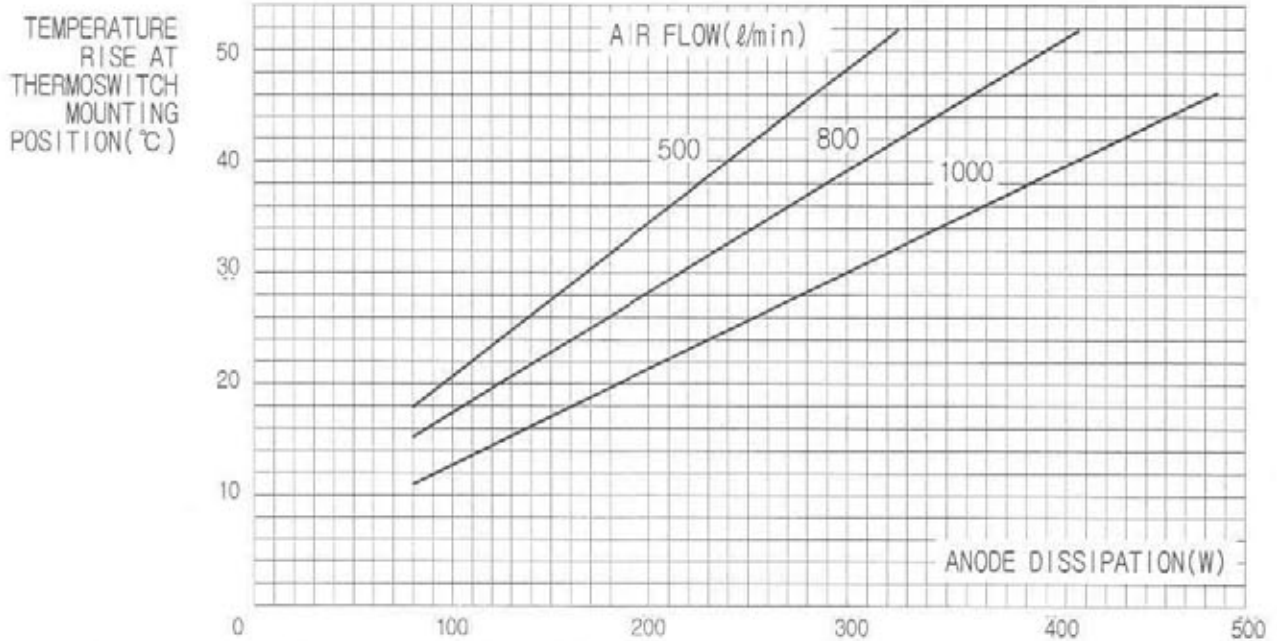
8. PERFORMANCE OF OM75P MAGNETRON



- Power Supply : single phase half-wave doubler
- Filament Voltage 3.15 V
- Load V.S.W.R. 1.1 maximum
- measured within 15sec. after applying voltage

REVISION	200 . . .			
	200 . . .			

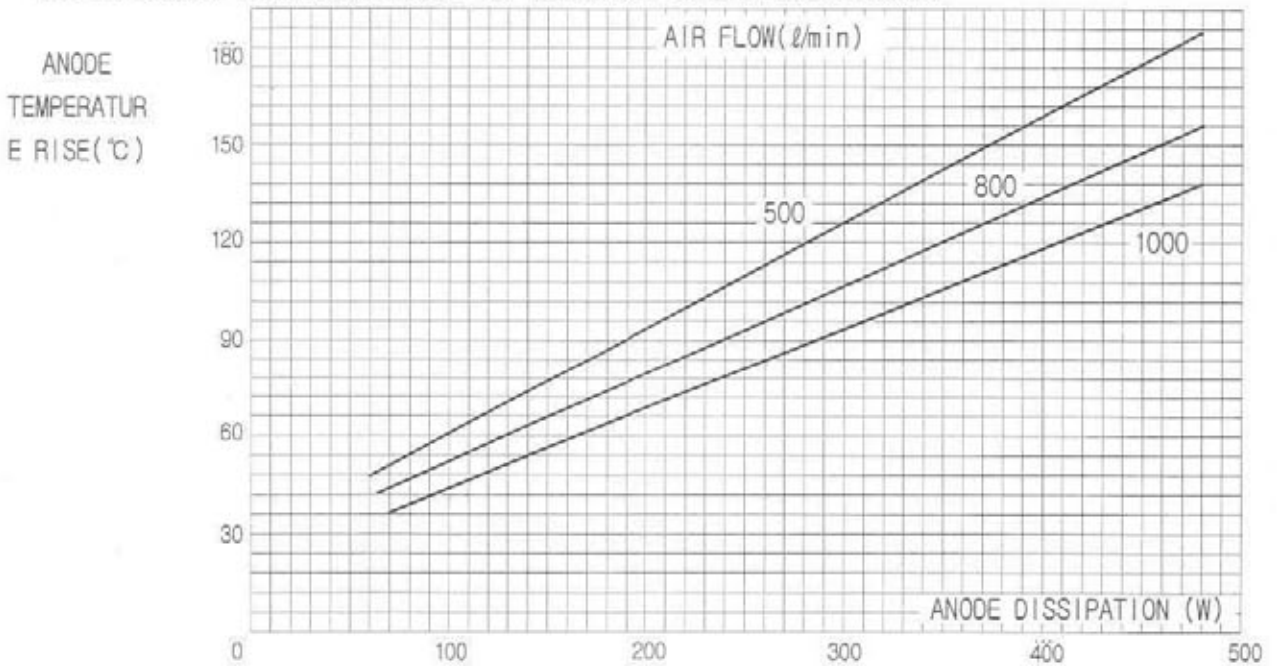
9. ANODE DISSIPATION vs. TEMPERATURE RISE of THERMOSWITCH MOUNTING POSITION



(Increase of anode temperature above inlet air temperature T as a function of anode dissipation W)

$$\text{Anode dissipation} = (\text{peak anode voltage}) \times (\text{average anode current}) - (\text{output power})$$

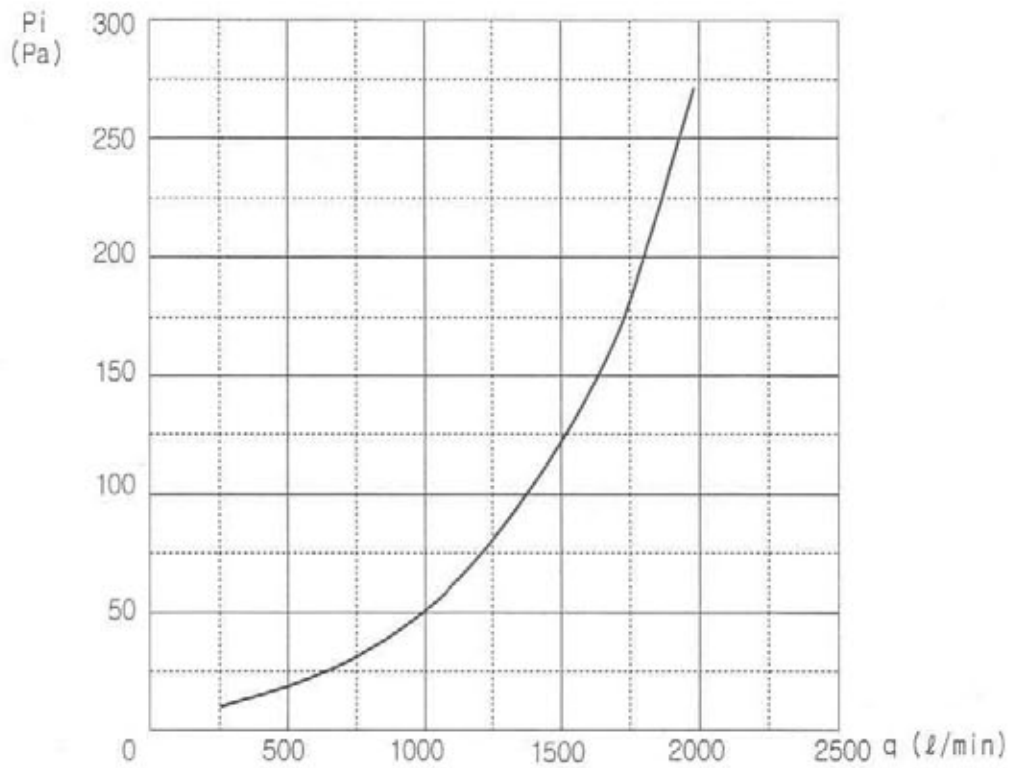
10. ANODE DISSIPATION vs. ANODE TEMPERATURE.



[Increase in temperature of thermoswitch mounting position above inlet air temperature T as a function of anode dissipation W]

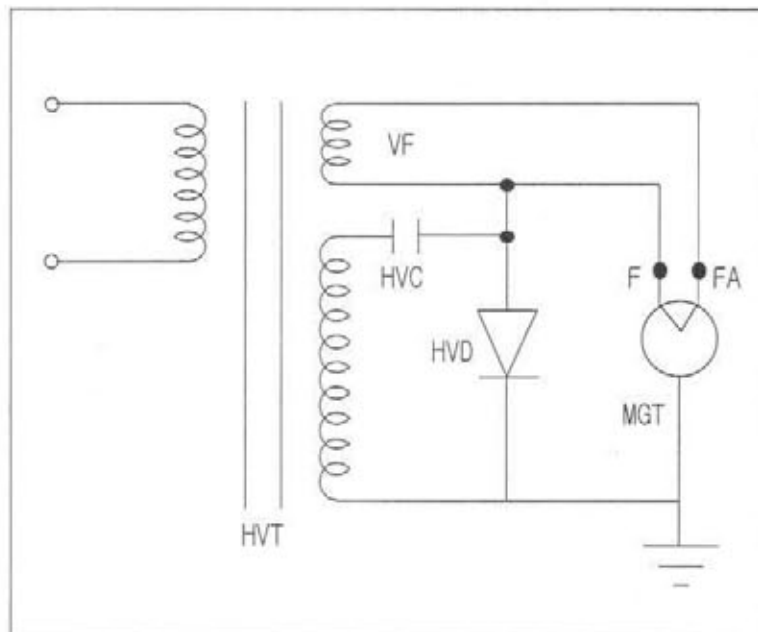
REVISION	200 . . .			
	200 . . .			

11. PRESSURE DROP vs. AIR FLOW



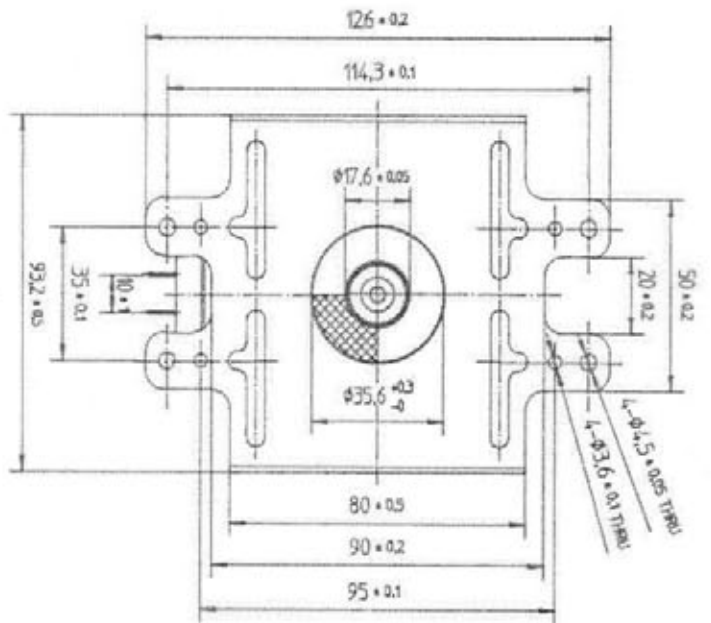
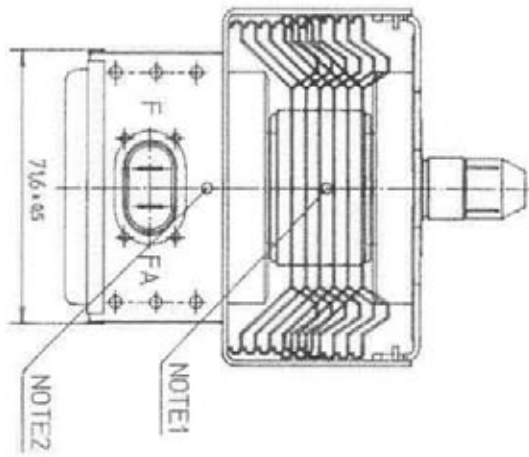
Pressure Drop P_i , across radiator as a function of air flow, q .

12. POWER SUPPLY CIRCUITS

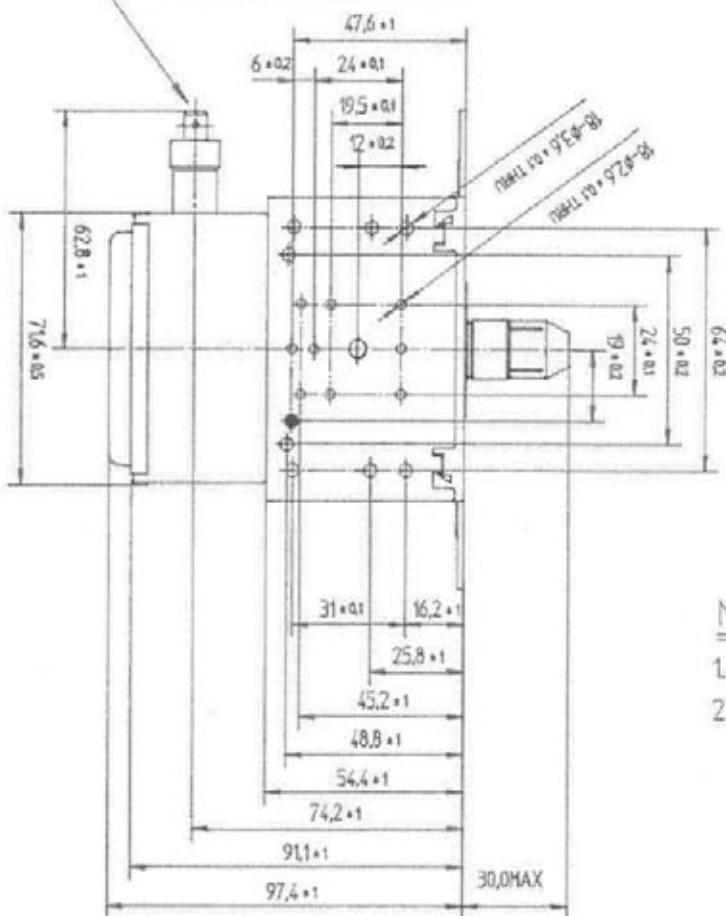


REVISION	200 . . .			
	200 . . .			

OM75P(21)



Fit to #250 Faston receptacle

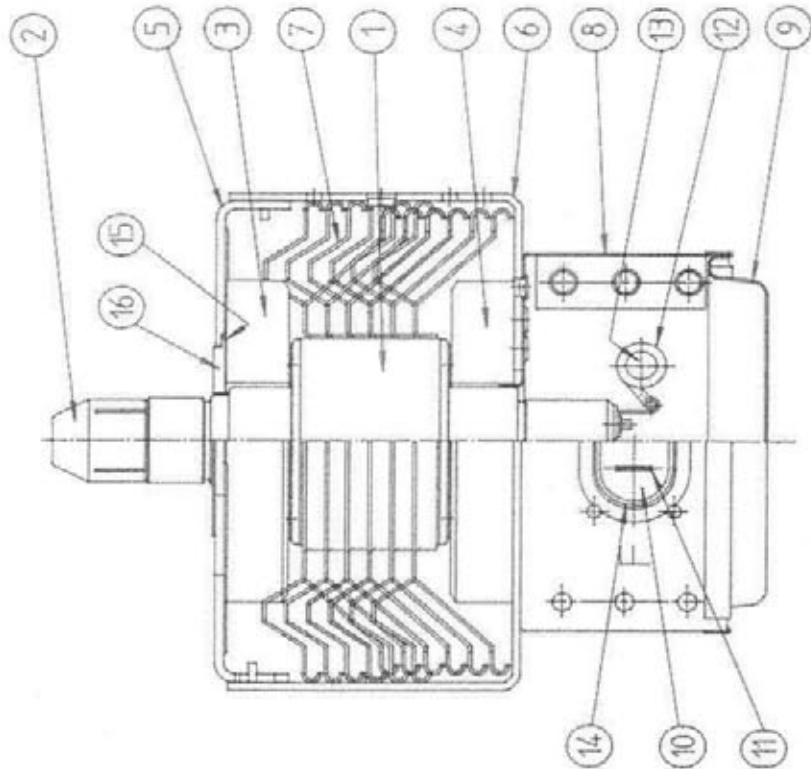


NOTE

- 1. ANODE TEMPERATURE MEASURING POINT.
- 2. FILTER BOX TEMPERATURE MEASURING POINT.

REVISION	2000.				
	2000.				

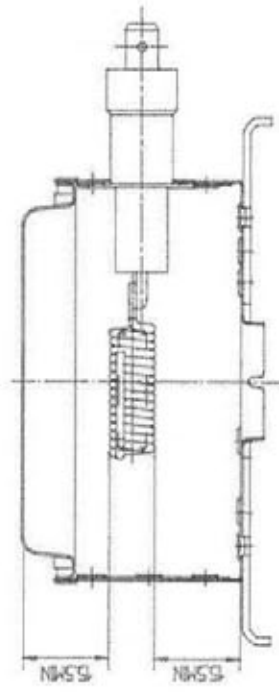
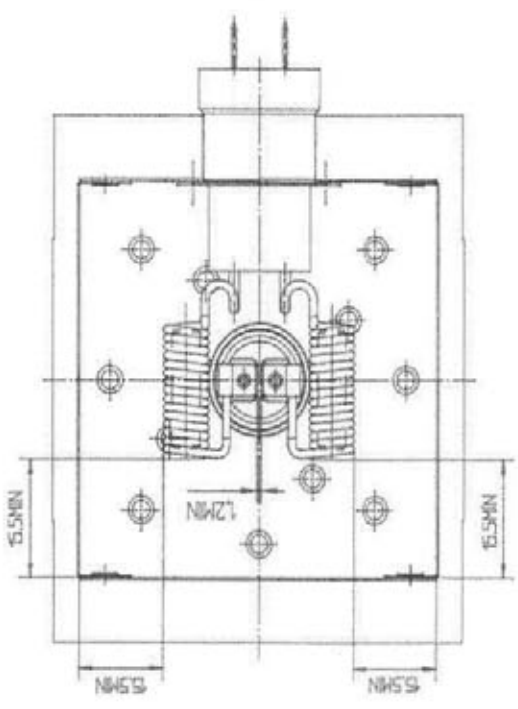
OM75P Material and Structure



No.	Part name	Material
1	Vacuum Tube	OM75S
2	Cap Antenna	Stainless steel T0.2
3	Magnet	Sr or Ba Ferrite 0060.5x021.5xT11
4	Magnet	Sr or Ba Ferrite 0060.5x021.5xT11
5	Yoke Output	Steel (Zn Plated) T1.6
6	Yoke Filter	Steel (Zn Plated) T1.4
7	Fin Cooling	Aluminum T0.6
8	Filter Box	Steel (Zn Plated) T0.4
9	Cover Filter	Steel (Zn Plated) T0.4
10	Capacitor	BaTiO3 (Epoxy Resin Molded) 10KVdc 500pF-x2
11	Faston Tab	Steel
12	Choke Coil	Copper Wire P14x15turn 2.1 μH
13	Core	Ferrite P95.5x27mm
14	Cover	Polybutylene-Terephthalate or Unsaturated Polyester 23.5x13.5x20 T : 1
15	Base Gasket	Alstar
16	R/F Gasket	Brass

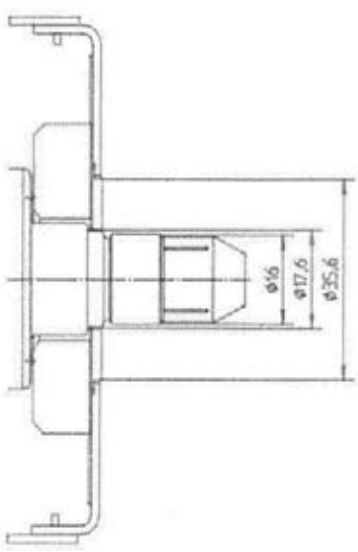
REVISION	1997.			
	1997.			

Insulating distances in the filter box of OM75P



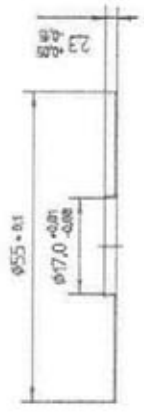
Mounting on launcher

1. Details of output construction



Note : 1. This figure is without gasket.

2. Recommended structure of launcher



Note : 1. Flatness of embossed edge should be better than 0.1 mm to avoid microwave leakage.

2. Recommended pressure on gasket is 20 to 40 kg.

REVISION	1997.				
	1997.				